
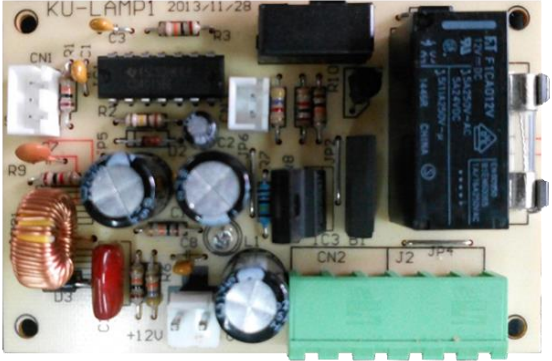
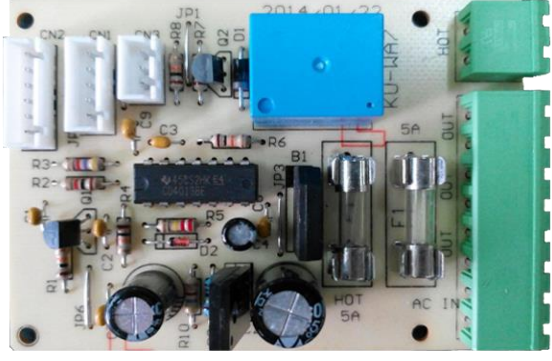



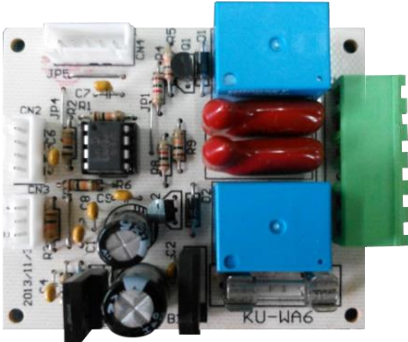
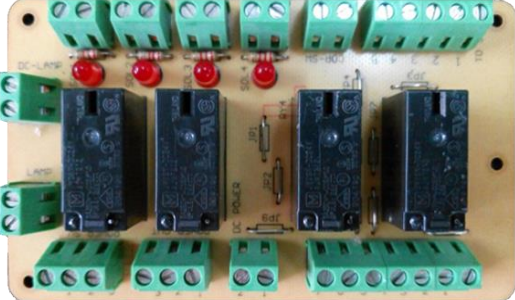
## 控制板系列(Control Boards)

Photo	P/N	Features
	Board No.	
	13060012(110V)	
	13060017(220V)	
	KI-16F88 LI-VR-01	
	13060007(110V)	
	13060016(220V)	
	KH-CHAIR DI-VR-01	
	13060014(110V)	
	13060008( 24V )	
	組合 13A01024(24V) 13A01110(110V)	

## 控制板系列(Control Boards)

Photo	P/N	Features
	Board No.	
	13030006	
	KD-WA3	
	13020019	
	KU-LAMP1	
	13030008	
	KU-WA7	

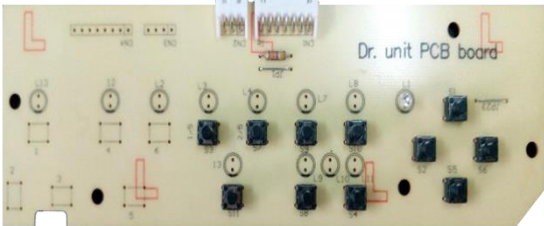
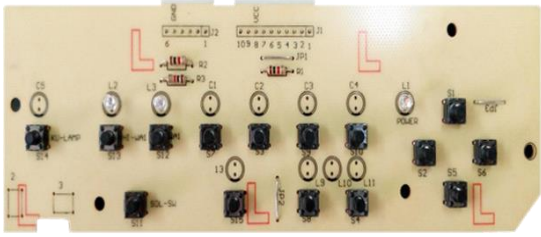
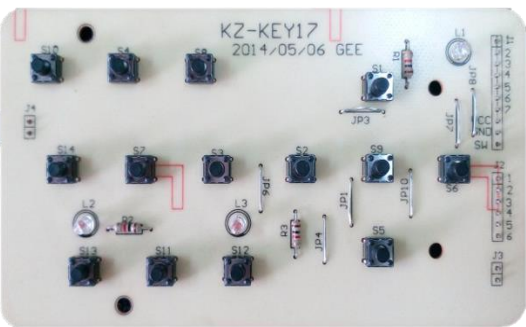
## 控制板系列(Control Boards)

Photo	P/N	Features
	Board No.	
 <p>A yellow PCB control board for a lamp. It features a large black electrolytic capacitor at the top, several smaller capacitors, resistors, and a green terminal block on the right side. The board is populated with various electronic components.</p>	13020014	
	KH-LAMP 2009/08/28	
 <p>A white PCB control board with two prominent blue electrolytic capacitors and two red electrolytic capacitors. It includes a green terminal block on the right and various electronic components like resistors and integrated circuits. The board is labeled 'KU-WA6'.</p>	13030009	
	KU-WA6 2013-11-30	
 <p>A yellow PCB control board featuring four large black electrolytic capacitors arranged in a row. It has multiple green terminal blocks on the top and bottom edges. The board is populated with various electronic components.</p>	13020001	
	GEE 980119	

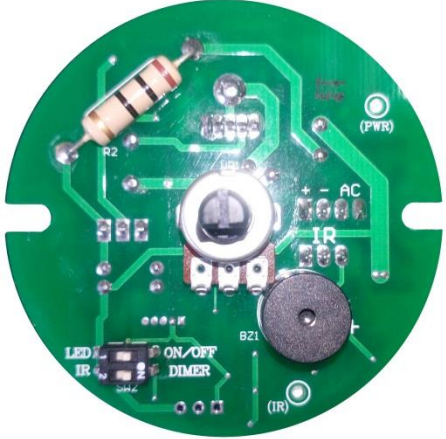

## 控制板系列(Control Boards)

Photo	P/N	Features
	Board No.	
	13010004	
	KB-KEY-05 2009-03-04	
	13010006	
	KB-KEY-06 2009-07-13	
	13030010	
	KZ-KEY-15 2013/10/10	

## 控制板系列(Control Boards)

Photo	P/N	Features
	Board No.	
 <p>Dr. unit PCB board</p>	13020010	
	KZ-KEY-02 2009/08/28	
	13020009	
	KZ-KEY-02-A 2014/05/15	
 <p>KZ-KEY17 2014/05/06 GEE</p>	13020020	
	KZ-KEY17 2014/05/06	

## 控制板系列(Control Boards)

Photo	P/N	Features
	Board No.	
	13004003	
	RT-01 NPDPKE	
	13004004	RT-01 NPDPKE Sensing Controller