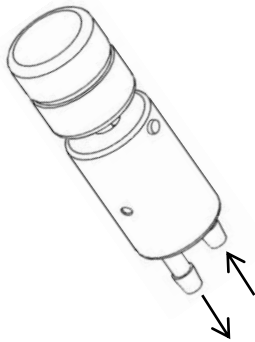


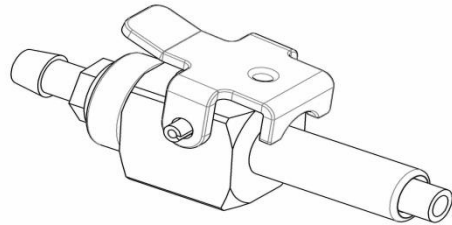
水氣快速接頭系列(Fitting Quick & Disconnects)

Shutoff



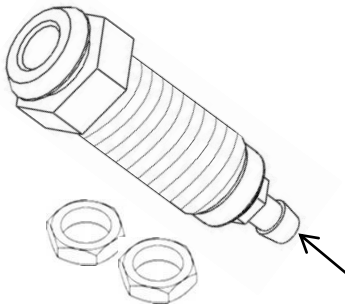
■ Size: $\varnothing 10.5 \times 41.7 \text{mm}$
■ P/N: 9K530004

Male Q.D For City Water With Flow Control



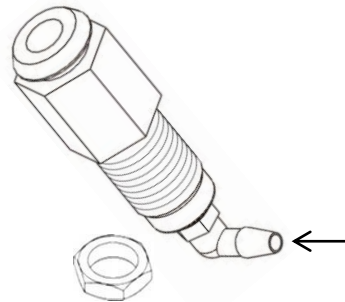
■ Size: $18 \times 18 \times 48.9 \text{mm}$
■ P/N: 9K530001

Female Q.D With Shutoff



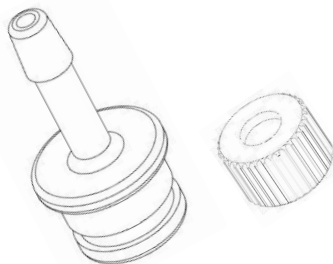
■ Size: $16.2 \times 14 \times 51.2 \text{mm}$
■ P/N: 9K530002

Female Q.D Left & Right



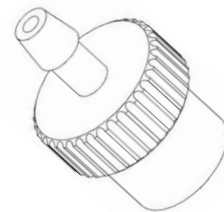
■ Size: $16.2 \times 14 \times 51.2 \text{mm}$
■ P/N: 9K530003

Adapter 1x2 Female & Nut



■ Size: $\varnothing 8 \times 14 \text{mm}$
■ P/N: 27220501

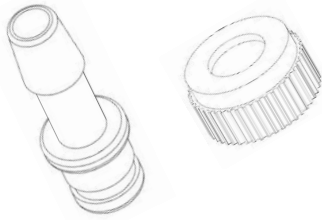
Adapter 1x2 Male



■ Size: $8 \times 13.5 \text{mm}$
■ P/N: 27220502

水氣快速接頭系列(Fitting Quick & Disconnects)

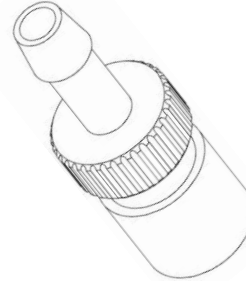
Adapter 4x6 Female & Nut



■ Size: $\varnothing 14.5 \times 6.3 \text{mm}$

■ P/N: 27220503

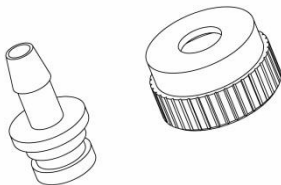
Adapter 4x6 Male



■ Size: $\varnothing 10 \times 20 \text{mm}$

■ P/N: 27220504

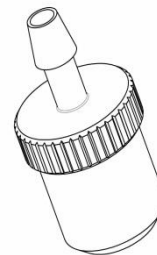
Adapter 2.5x4 Female & Nut



■ Size: $\varnothing 12.5 \times 6.3 \text{mm}$

■ P/N: 27220506

Adapter 2.5x4 Male



■ Size: $\varnothing 10 \times 18 \text{mm}$

■ P/N: 27220507