

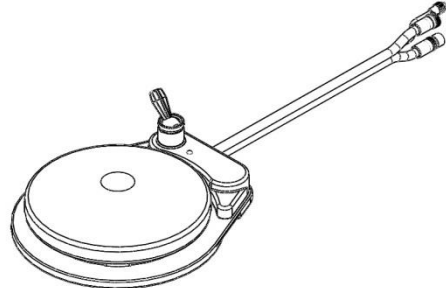
## 腳踏控制器及組件系列(Foot Controller & Component)

### Multifunction Foot Controller



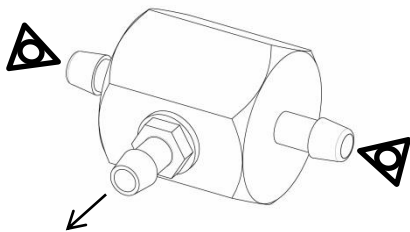
- Size: 211.8\*148.2\*88mm
- P/N: 5K010001

### Wet/Dry Foot Controller



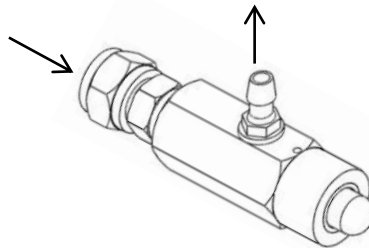
- P/N: 5K626001

### Multifunction Foot Controller Two-Way Check Valve



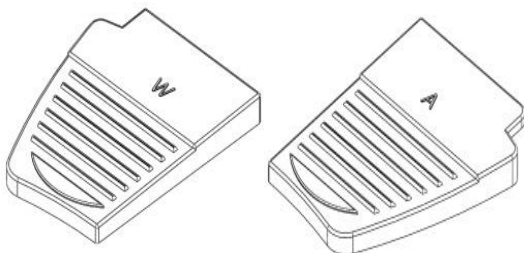
- Size: 11.6\*10\*20.5mm
- P/N: 5A010009

### Foot Control Valve – For Multifunction Foot Controller



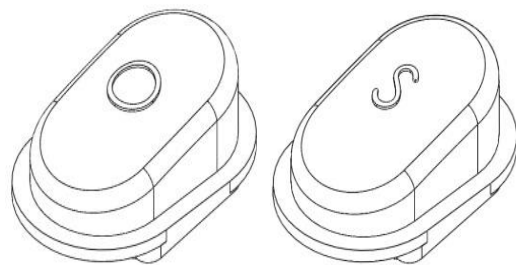
- Size: 25\*16.2\*68mm
- P/N: 5A010005

### Foot Controller Pad (Water) Foot Controller Pad (Air)



- Size: 80\*102\*25.7mm
- P/N: 35015002+35015003

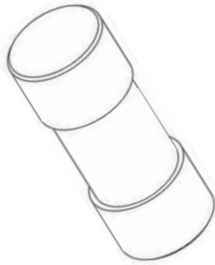
### O Oval Pad & S Oval Pad



- Size: 37.4\*25\*21mm
- P/N: 35015004+35015005

## 腳踏控制器及組件系列(Foot Controller & Component)

Urethane Jostick  
For Multifunction Foot Controller



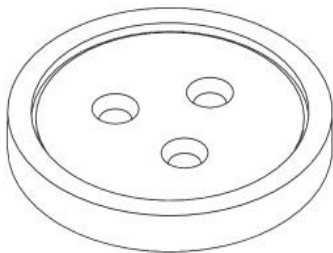
■ Size:  $\varnothing 18 \times 45 \text{mm}$   
■ P/N: 35015007

Control Panel Label



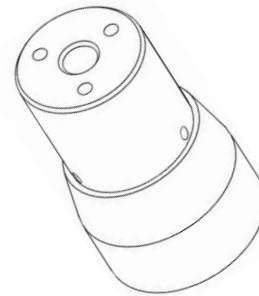
■ Size:  $59 \times 1 \text{mm}$   
■ P/N: 14100005

Round Pedal



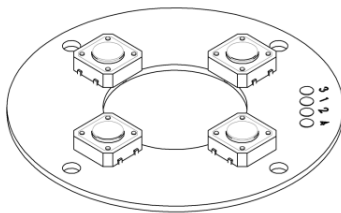
■ Size:  $69 \times 8.5 \text{mm}$   
■ P/N: 35015006

Aluminum Jostick



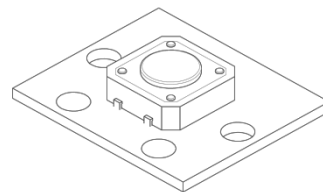
■ Size:  $\varnothing 47.5 \times 60 \text{mm}$   
■ P/N: 22015001

Control PCB board  
For Aluminum Jostick



■ P/N: 5A010002

Joystick Set Plate  
For Aluminum Jostick



■ P/N: 5A010001

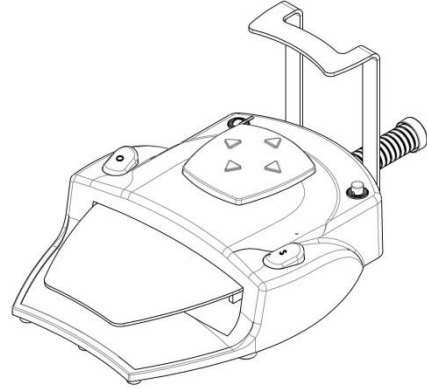
## 腳踏控制器及組件系列(Foot Controller & Component)

D-Type Foot Controller



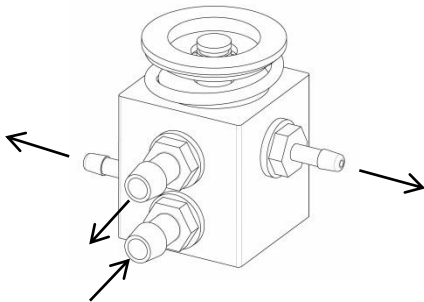
■ P/N: 5K626000

R1-Type Foot Controller



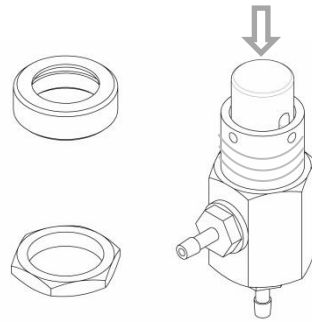
■ P/N: 5K040001

Foot Control Valve – For R1-Type



■ P/N: 5A040002

R1-Type Foot Controller  
Pressing Valve Blow Crumbs



■ P/N: 5A040003