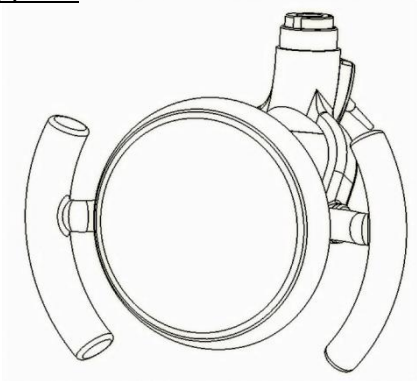


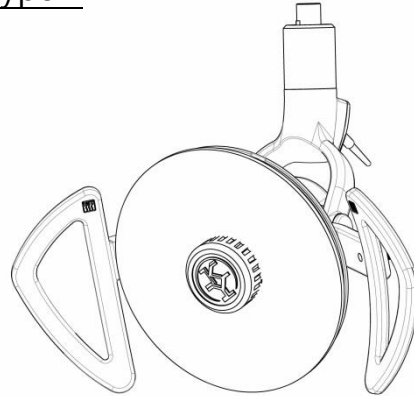
無影燈系列(Shadowless Lamp)

Halogen Shadowless Lamp
-Type A



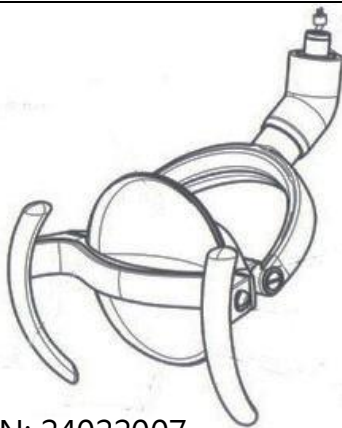
■ P/N: 4B000001

Halogen Shadowless Lamp
-Type B



■ P/N: 4B000002

LED Shadowless Lamp - Type A
Non-Contact Sensor Control



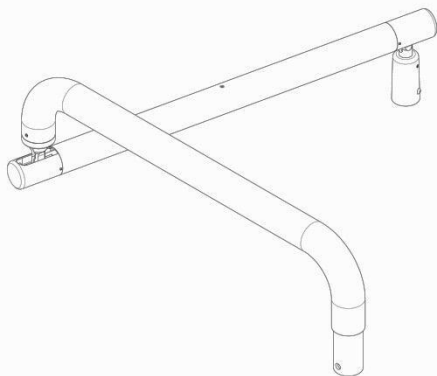
■ P/N: 24022007

LED Shadowless Lamp - Type B
Non-Contact Sensor Control
Switchable Color Temperature



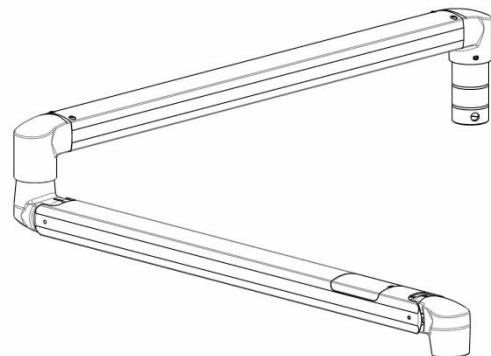
■ P/N: 4B060001

Halogen Shadowless Lamp
Balance Arm - Type A



■ P/N: 4A010001

Halogen Shadowless Lamp
Balance Arm - Type B



■ P/N: 4B040001

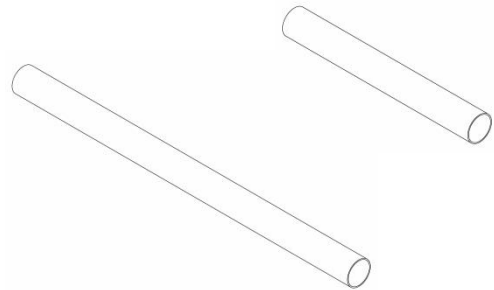
無影燈系列(Shadowless Lamp)

Shadowless Lamp Mobile Track



- Size: 1930*155*95mm
- P/N: 4K050001

Shadowless Lamp Mobile Track Connecting Post



- Size: $\varnothing 50 \times 730\text{mm} + \varnothing 50 \times 390\text{mm}$
- P/N: 4A050002+4A050001

LED Shadowless Lamp - Type C Implant Surgical Lights

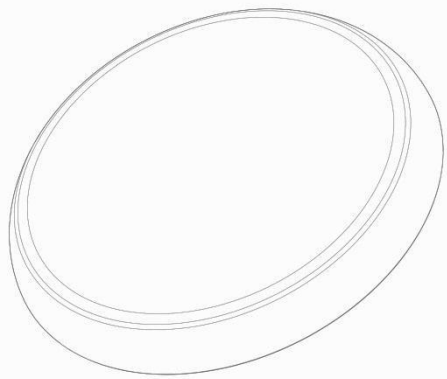


- P/N: 24022008

無影燈系列(Shadowless Lamp)

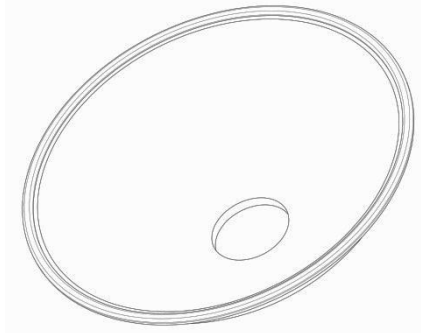
■ Halogen Shadowless Lamp -Type A Component

Halogen Shadowless Lamp
-Type A - Lampshade



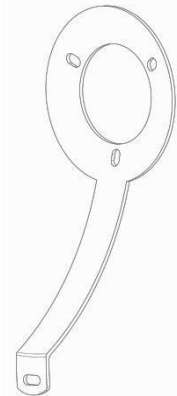
■ P/N: 35004002

Halogen Shadowless Lamp
-Type A - Glass Lens Reflex



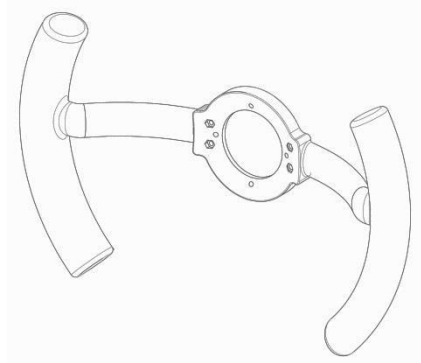
■ P/N: 24021002

Halogen Shadowless Lamp
-Type A - Lamp Holder Bracket



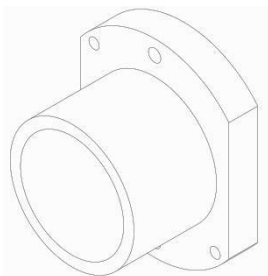
■ P/N: 34004006

Halogen Shadowless Lamp
-Type A - Grip



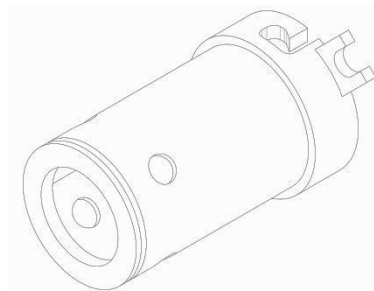
■ P/N: 35004001

Halogen Shadowless Lamp
-Type A - Bakelite Bush



■ P/N: 35004011

Halogen Shadowless Lamp
-Type A - Lampholder Sleeve

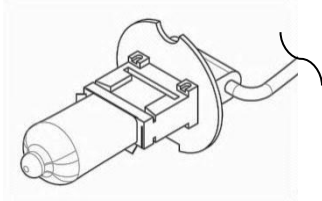


■ P/N: 39004006

無影燈系列(Shadowless Lamp)

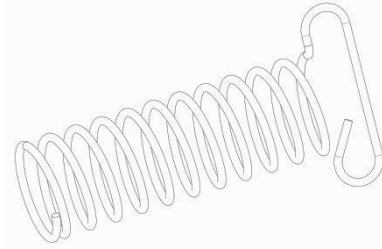
■ Halogen Shadowless Lamp -Type A Component

Halogen Shadowless Lamp
-Type A - Halogen Bulbs



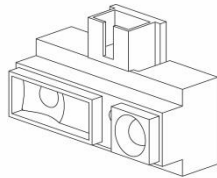
■ P/N: 24021312

Halogen Shadowless Lamp
-Type A - Lamp Fixing Spring



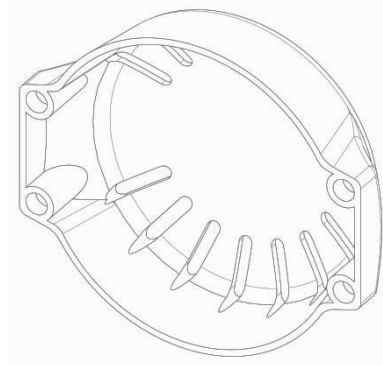
■ P/N: 10107202

Halogen Shadowless Lamp
-Type A - Infrared Sensors



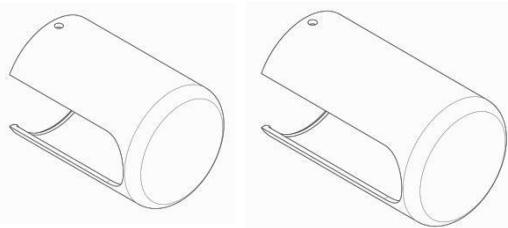
■ P/N: 13050001

Halogen Shadowless Lamp
-Type A - Plastic Cover



■ P/N: 35004003

Halogen Shadowless Lamp
-Type A - Front +Rear Balance Arm
Cover



■ Size: $\varnothing 45 \times 65\text{mm} + \varnothing 45 \times 78\text{mm}$

■ P/N: 35004007+35004008

Halogen Shadowless Lamp
-Type A - Y Stent Bobbin Holder



■ P/N: 22004026